



**SERVING THE FOOD INDUSTRY SINCE 1951**

## COMMERCIAL COUNTERTOP DISPLAY WARMER

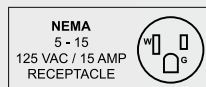
Item: 43465	47510	47511	47512	47513
Model:DW-CN-0085	DW-CN-0065	DW-CN-0102	DW-CN-0121	DW-CN-0138

**Always promise your customers warm and fresh goods with Omcan Display Warmers.**

These economical and attractive display warmers are constructed with stainless steel exterior, making them durable and easy-to-clean. They're perfect for concession stands, convenience stores, cafes, or small delis.

- ☆ Stainless steel exterior
- ☆ Tempered glass sides
- ☆ Independent heat

- ☆ Light controls for each shelf
- ☆ Adjustable thermostat
- ☆ Adjustable divider rods  
for easy organization of goods



Authorized Dealer

# 32" DISPLAY WARMER 85L

Item: 43465 | Model: DW-CN-0085

## TECHNICAL SPECIFICATIONS

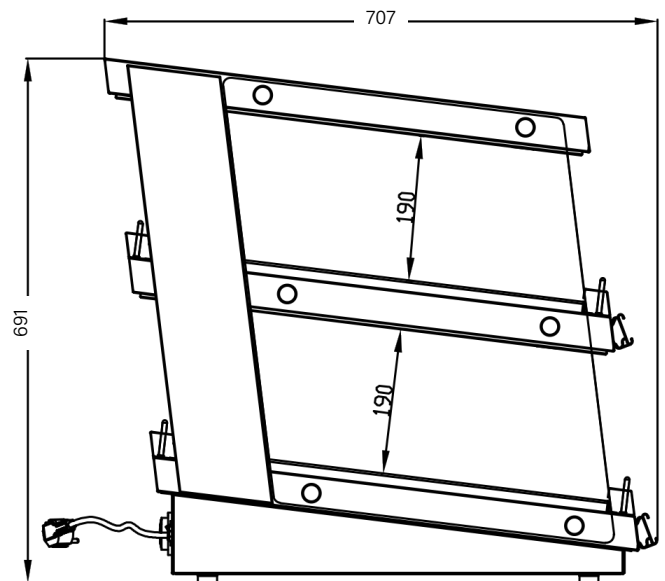
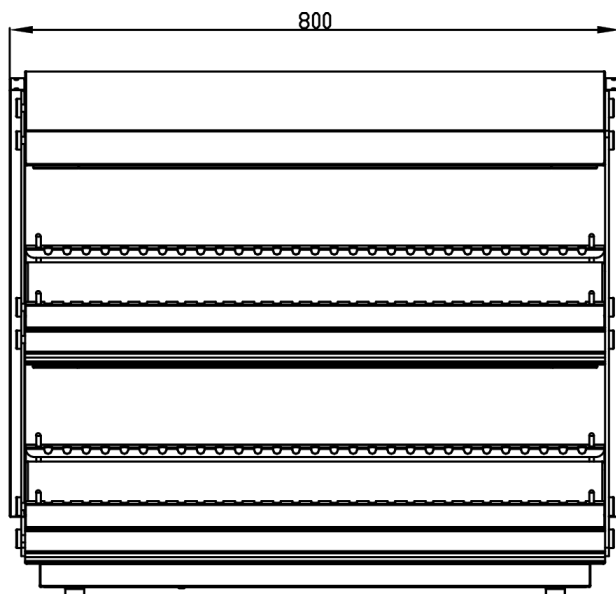
### 32-Inch Display Warmer 85 L Capacity

<b>Item Number</b>	43465
<b>Model</b>	DW-CN-0085
<b>Capacity</b>	85 L / 3 Cu.ft
<b>Temperature Range</b>	30°C - 90°C 86°F - 194°F
<b>Power</b>	1800 W
<b>Rated Current</b>	15A
<b>Electrical</b>	120V / 60Hz / 1Ph
<b>Net Dimensions (DWH)</b>	31.5" x 28" x 27.2" 800 x 707 x 691 mm
<b>Gross Dimensions</b>	34" x 30.2" x 29" 870 x 767 x 736 mm
<b>Net Weight</b>	92.6 lbs / 41 kg
<b>Gross Weight</b>	99 lbs / 45 kg



## TECHNICAL DRAWINGS & DIMENSIONS

\*measurements in diagrams are in mm



## OMCAN INC.

Telephone: 1-800-465-0234

Fax: (905) 607-0234

Email: [sales@omcan.com](mailto:sales@omcan.com)

Website: [www.omcan.com](http://www.omcan.com)



Follow us to keep up to date with the latest news and offers



2017E&OE

# 23.6" DISPLAY WARMER 65L

Item: 47510 | Model: DW-CN-0065

## TECHNICAL SPECIFICATIONS

23.6-Inch Display Warmer 65 L Capacity	
Item Number	47510
Model	DW-CN-0065
Capacity	65 L / 2.29 cu. ft
Temperature Range	30°C - 90°C 86°F - 194°F
Power	1800 W
Rated Current	15A
Electrical	120V / 60Hz / 1Ph
Net Dimensions (DWH)	23.6" x 27.8" x 27.2" 600 x 707 x 691 mm
Gross Dimensions	26.2" x 30.2" x 29" 666 x 767 x 736 mm
Net Weight	72.75 lbs / 33 kg
Gross Weight	-



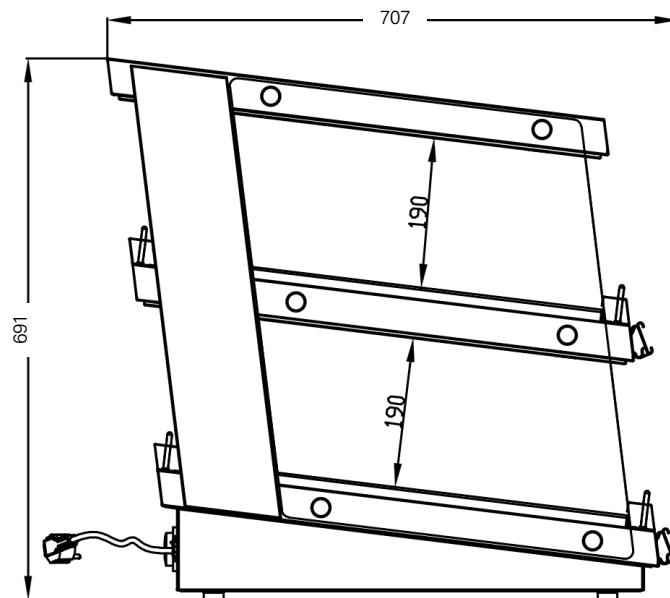
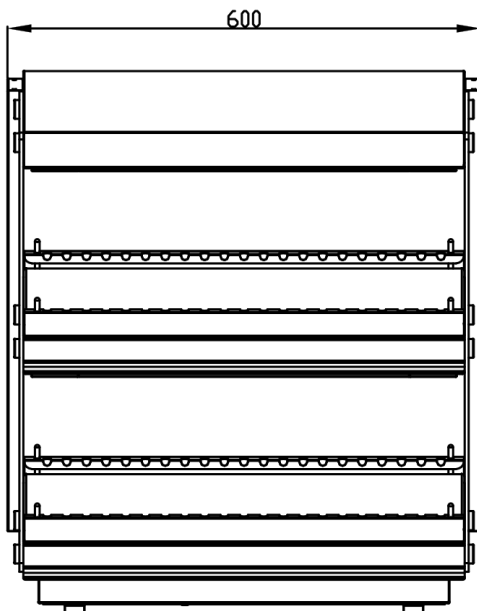
FONT VIEW



BACK VIEW

## TECHNICAL DRAWINGS & DIMENSIONS

\*measurements in diagrams are in mm



## OMCAN INC.

Telephone: 1-800-465-0234

Fax: (905) 607-0234

Email: sales@omcan.com

Website: www.omcan.com



Follow us to keep up to date with the latest news and offers



2017E&OE

# 37.5" DISPLAY WARMER 102L

Item: 47511 | Model: DW-CN-0102

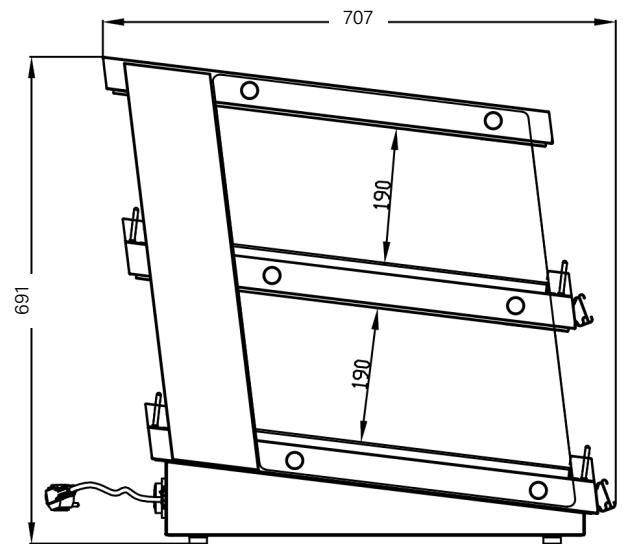
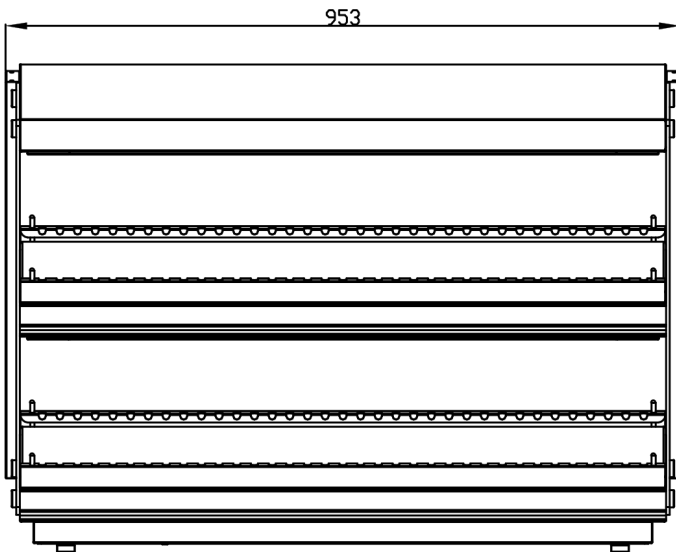
## TECHNICAL SPECIFICATIONS

37.5-Inch Display Warmer 102 L Capacity	
Item Number	47511
Model	DW-CN-0102
Capacity	102 L / 3.6 cu. ft.
Temperature Range	30°C - 90°C 86°F - 194°F
Power	1800 W
Rated Current	15A
Electrical	120V / 60Hz / 1Ph
Net Dimensions (DWH)	37.5" x 27.8" x 27.2" 953 x 707 x 691 mm
Gross Dimensions	40.1" x 30.1" x 29" 1019 x 767 x 736 mm
Net Weight	108 lbs / 49 kg
Gross Weight	-



## TECHNICAL DRAWINGS & DIMENSIONS

\*measurements in diagrams are in mm



## OMCAN INC.

Telephone: 1-800-465-0234

Fax: (905) 607-0234

Email: [sales@omcan.com](mailto:sales@omcan.com)

Website: [www.omcan.com](http://www.omcan.com)



Follow us to keep up to date with the latest news and offers



2017E&OE

# 43.5" DISPLAY WARMER 121L

Item: 47512 | Model: DW-CN-0121

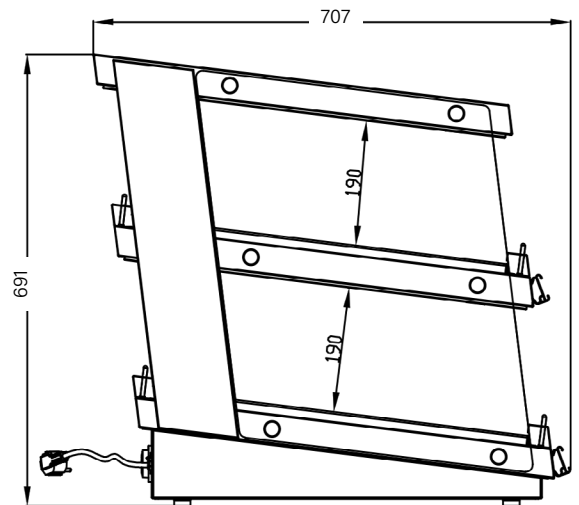
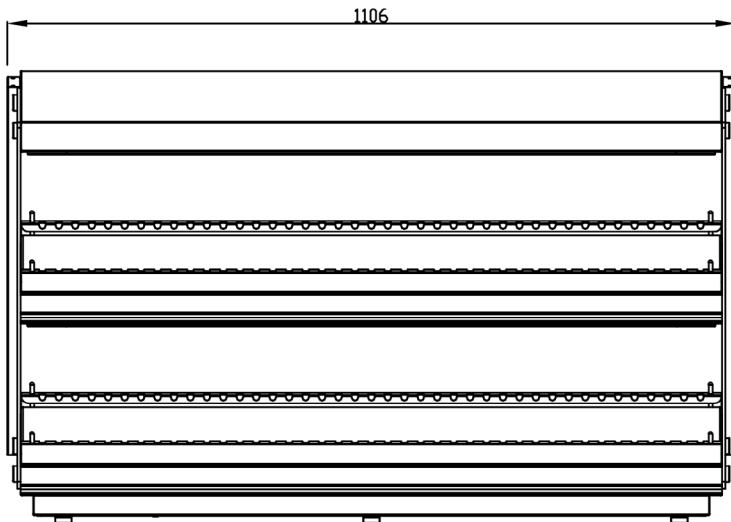
## TECHNICAL SPECIFICATIONS

43.5-Inch Display Warmer 121 L Capacity	
Item Number	47512
Model	DW-CN-0121
Capacity	121 L / 4.27 cu. ft.
Temperature Range	30°C - 90°C 86°F - 194°F
Power	1800 W
Rated Current	15A
Electrical	120V / 60Hz / 1Ph
Net Dimensions (DWH)	43.5" x 27.8" x 27.2" 1106 x 707 x 691 mm
Gross Dimensions	46.1" x 30.1" x 29" 1172 x 767 x 736 mm
Net Weight	121.2 lbs / 55 kg
Gross Weight	127.9 lbs / 58 kg



## TECHNICAL DRAWINGS & DIMENSIONS

\*measurements in diagrams are in mm



## OMCAN INC.

Telephone: 1-800-465-0234

Fax: (905) 607-0234

Email: sales@omcan.com

Website: www.omcan.com



Follow us to keep up to date with the latest news and offers



2017E&OE



# 49.6" DISPLAY WARMER 138L

Item: 47513 | Model: DW-CN-0138

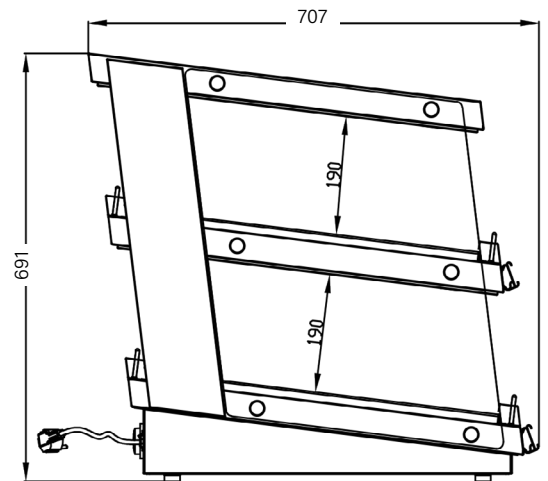
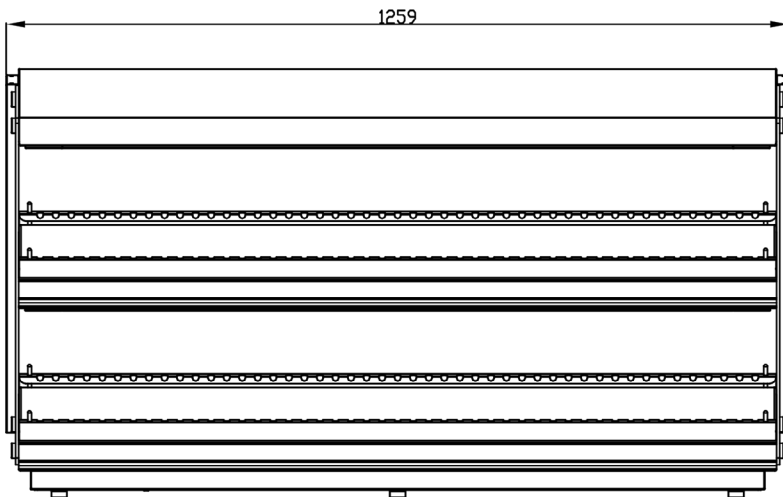
## TECHNICAL SPECIFICATIONS

49.6-Inch Display Warmer 138 L Capacity	
Item Number	47513
Model	DW-CN-0138
Capacity	138 L / 4.87 cu. ft.
Temperature Range	30°C - 90°C 86°F - 194°F
Power	1800 W
Rated Current	15A
Electrical	120V / 60Hz / 1Ph
Net Dimensions (DWH)	49.6" x 27.8" x 27.2" 1259 x 707 x 691 mm
Gross Dimensions	52.2" x 30.1" x 29" 1325 x 767 x 736 mm
Net Weight	143.3 lbs / 65 kg
Gross Weight	-



## TECHNICAL DRAWINGS & DIMENSIONS

\*measurements in diagrams are in mm



## OMCAN INC.

Telephone: 1-800-465-0234

Fax: (905) 607-0234

Email: [sales@omcan.com](mailto:sales@omcan.com)

Website: [www.omcan.com](http://www.omcan.com)



Follow us to keep up to date with the latest news and offers



2017E&OE